

# TURBO

PRODUCTS

---

## MODULAR FRAGMENTED ICE SYSTEMS

MHGA: MODULAR HOT GAS AMMONIA

[WWW.TURBOPRODUCTS.COM](http://WWW.TURBOPRODUCTS.COM)



TURBO POWERED BY OMEGA

# MODULAR FRAGMENTED ICE SYSTEMS

## MHGA: Modular Hot Gas Ammonia



Single Modular with End Panel Kit

The Turbo Products MHGA (Modular Hot Gas Ammonia) are microprocessor controlled ice modules that can be combined to operate alone or as part of a sequenced modular ice making array for 25 tons to over 300 tons of ice per day. This ice discharges in 1/4" to 1/2" plate fragmented ice which is moist on the surface but does not readily clump in storage. A single master control panel provides network accessibility for precisely monitoring and controlling ice making operations.

### MHGA Standard Features:

- » Ammonia Operation (Liquid Recirculated or Flooded)
- » Stainless Steel Front and Rear Panels
- » Voltage - 230V or 460V, 3PH, 60Hz Power
- » Voltage - 120V, 1PH, 60Hz Controls
- » Allen Bradley Micrologix PLC
- » Stainless Steel Evaporator Piping
- » Stainless Steel Upper and Lower Frame



Modular Skid Package (4)

### MHGA Options:

- » Voltage - 400V, 3PH, 50Hz Power
- » Voltage - 575V, 3PH, 60Hz Power
- » End Panel Kit
- » AB Ethernet Interface Module
- » Split Crating for Container/LTL Loading
- » Canadian Registration Number (CRN)
- » Export crating (ISPM-15 Rated)
- » Automation Direct PLC (Module only)
- » R/S Control Valves
- » Base Frames / Headers for Skidding up to 6 Modules
- » Master Panels for Control of up to 12 Modules
- » Hot Gas/Liquid Strainer/Defrost Pressure Reg Kit

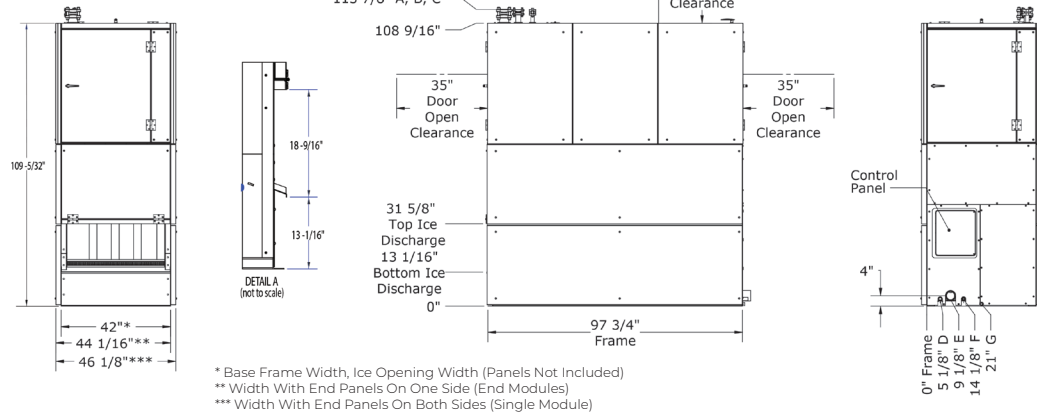
### CAPACITY TABLE, TONS OF ICE PER 24 HOURS AT SUCTION TEMPERATURE 0°F (-18°C) (LR or Flooded)

Water Temperature	Capacity (US Tons/24hrs)		Refrigeration Capacity (TR)		Capacity (Metric Tons/24hrs)		Refrigeration Capacity (KW)	
	Ice Thickness		Ice Thickness		Ice Thickness		Ice Thickness	
	1/4"	1/2"	1/4"	1/2"	1/4"	1/2"	1/4"	1/2"
80°F (27°C)	28.3	22.8	49.7	34.6	25.7	20.7	174.9	121.8
70°F (21°C)	29.6	24.0	49.7	34.6	26.9	21.8	174.9	121.8
60°F (16°C)	31.1	25.3	49.7	34.6	28.3	23.0	174.9	121.8
50°F (10°C)	32.7	26.7	49.7	34.6	29.7	24.3	174.9	121.8

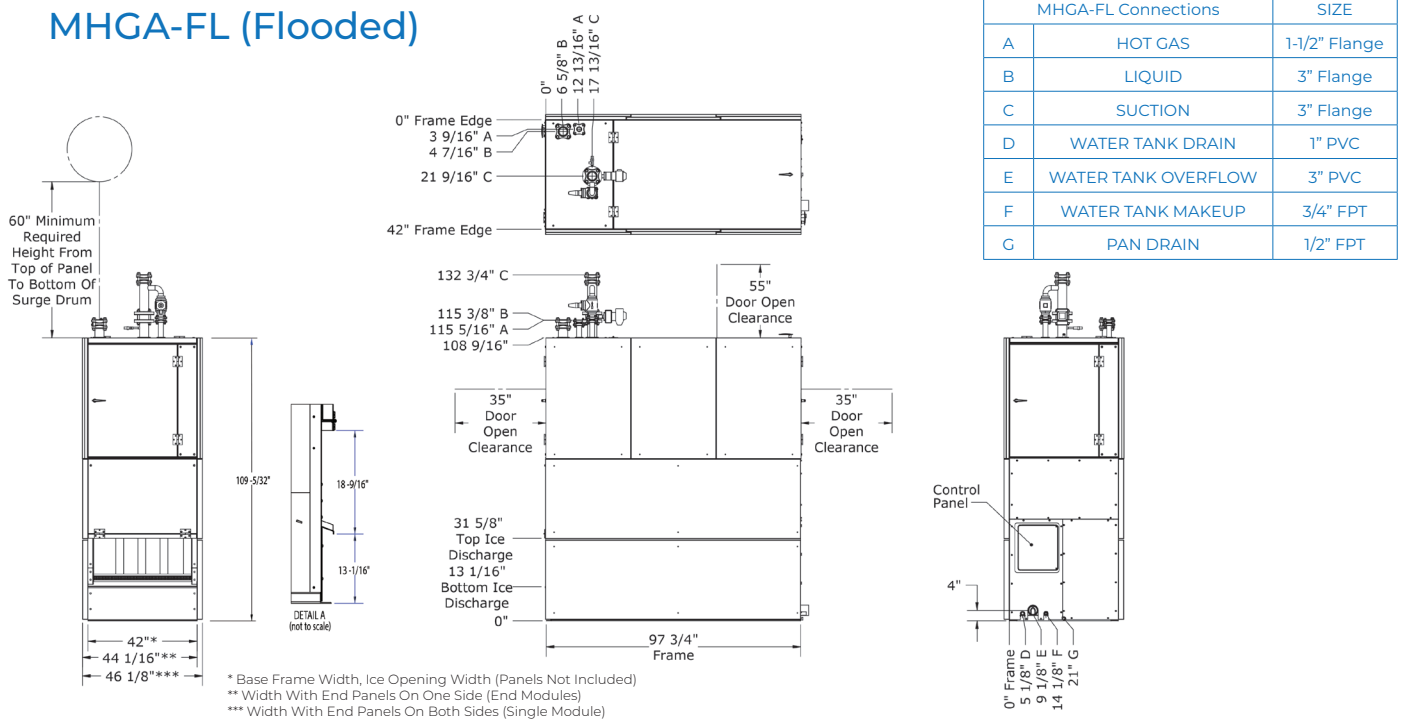
Capacity ratings based on central plant operation with 60 second harvest. Consult factory for dedicated compressor ratings.

MHGA-LR Connections		SIZE
A	HOT GAS	1-1/2" Flange
B	LIQUID	1" Flange
C	SUCTION	3" Flange
D	WATER TANK DRAIN	1" PVC
E	WATER TANK OVERFLOW	3" PVC
F	WATER TANK MAKEUP	3/4" FPT
G	PAN DRAIN	1/2" FPT

## MHGA-LR (Liquid Recirculated)



## MHGA-FL (Flooded)



MHGA-FL Connections		SIZE
A	HOT GAS	1-1/2" Flange
B	LIQUID	3" Flange
C	SUCTION	3" Flange
D	WATER TANK DRAIN	1" PVC
E	WATER TANK OVERFLOW	3" PVC
F	WATER TANK MAKEUP	3/4" FPT
G	PAN DRAIN	1/2" FPT

## Operating Conditions

The ice machine shall not be subjected to an atmospheric temperature lower than 50°F (10°C) nor higher than 90°F (32°C) without effect on performance. Water for condensing or ice making purposes shall be non-corrosive. The water shall be at a constant pressure no less than 30lb at the ice machine location. The condition of the water to make satisfactory ice shall be the responsibility of the purchaser.

## Turbo Products Certifications

TURBO PRODUCTS, LLC  
 212700 LASER DRIVE  
 STRATFORD, WI 54484  
 PHONE: 715.687.8102  
 SALES@TURBOPRODUCTS.COM



ASME U-stamp, Canadian Registration Number, PED

**TURBO**  
 PRODUCTS